



XS Systembeschlag

Das extra-starke $\varnothing 15$ mm Verbindungssystem für hochbelastbare Konstruktionsverbindungen, einsetzbar für Plattenstärken von 20-30 mm

XS Connecting system

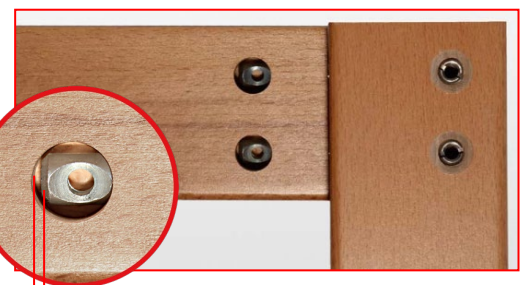
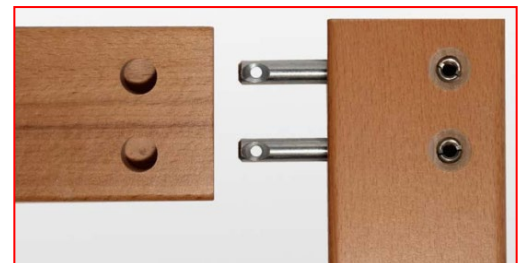
The extra strong $\varnothing 15$ mm connecting system for heavy duty constructions, suitable for board thickness of 20-30 mm

Beschreibung

- Hoher Kraftschluss, dauerhaft
- Anzugsweg ca. 4,5 mm
- Vibrationsfest!
- Komplett aus Stahl gefertigt, hohe Verarbeitungssicherheit
- Oberfläche verzinkt
- Kein seitliches Plattenverschieben
- Leichte Montage für den Endverbraucher
- Made in Germany

Specification

- High strength tightening forces, permanent
- Tightening distance approx. 4.5 mm
- Vibration resistant!
- Completely made of steel, high processing safety
- Surface zinc plated
- No panel-shift
- Easy to mount
- Made in Germany



> < Optimale Position / Ideal mounting position



XS Eckverbinder

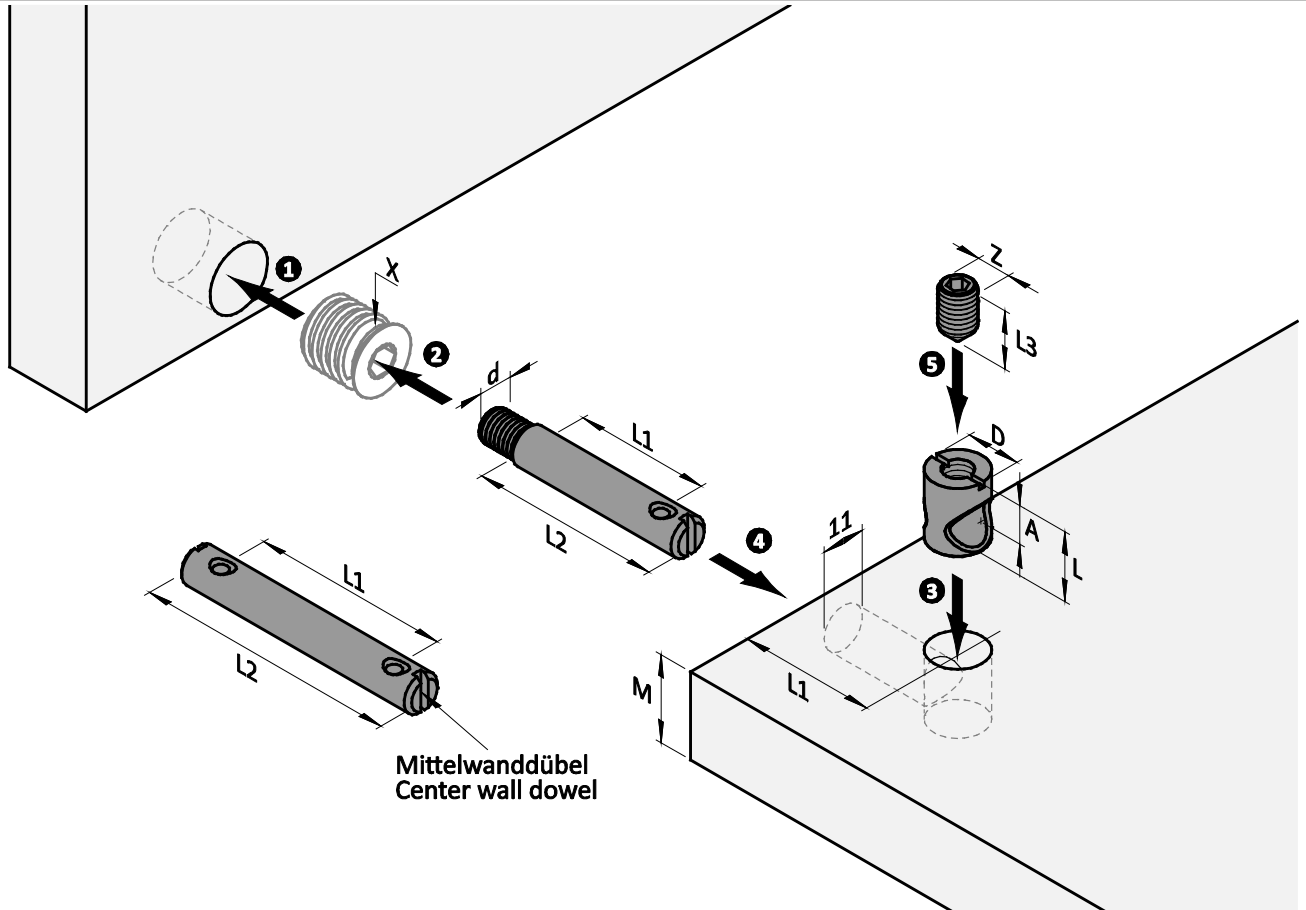
Bestehend aus:

- XS Gehäuse ø15 mm
- XS Gewindestift M10, ISK (Innensechskant)
- XS Stahldübel ø10 mm
- Gewindemuffe M6, M8

XS Corner Connector

Consisting of:

- XS Housing ø15 mm
- XS Grub Screw M10, ISK (hexagon)
- XS Steel Dowel ø10 mm
- Insert M6, M8



Mittelwanddübel
Center wall dowel

Gehäuse / Housing ø15 mm					
Artikel-Nr. order-no.	Material M	L	A	D	VE PU
D01035	20	17	10,0	15	100
D01002	22	19	12,0	15	100
D01003	24-28	21	14,0	15	100
D01004	30	28	13,0	15	100

Gew.-Stift / Grub Screw M10			
Artikel-Nr. order-no.	L3	Z	VE PU
D01036	10,0	SW5	100
D01005	12,0	SW5	100
D01005	12,0	SW5	100
D01005	12,0	SW5	100

Stahldübel / Steel Dowel ø10 mm				
Artikel-Nr. order-no.	L1	L2	d	VE PU
D01013	20	27,5	M6x11	100
D01006	30	37,5	M6x11	100
D01007	30	37,5	M8x11	100
D01008	33	40,0	EURO ø6x18	100
D01014	85	92,0	M8x11	100
D01015	60	71,5	M8x11	100
D01010	64	82	Mittelwand	50
D01011	60	75	Mittelwand	50

Hinweis / Please note

Beispiel-Kombination: / Example of combination: D01002 + D01005 + D01008

→: Gehäuse mit diesem Gewindestift kombinieren / →: Combine Housing with this Grub Screw

X: Passende Gewindemuffen auf S. 52/ X: Matching Inserts on page 52

M: Materialstärke; Alle Abmessungen in mm / M: Board thickness; All dimensions in mm

EURO-Direkt-Gewinde für Bohrung ø5 mm / EURO-thread for ø5 mm hole



XS Gehrungsverbinder einseitig

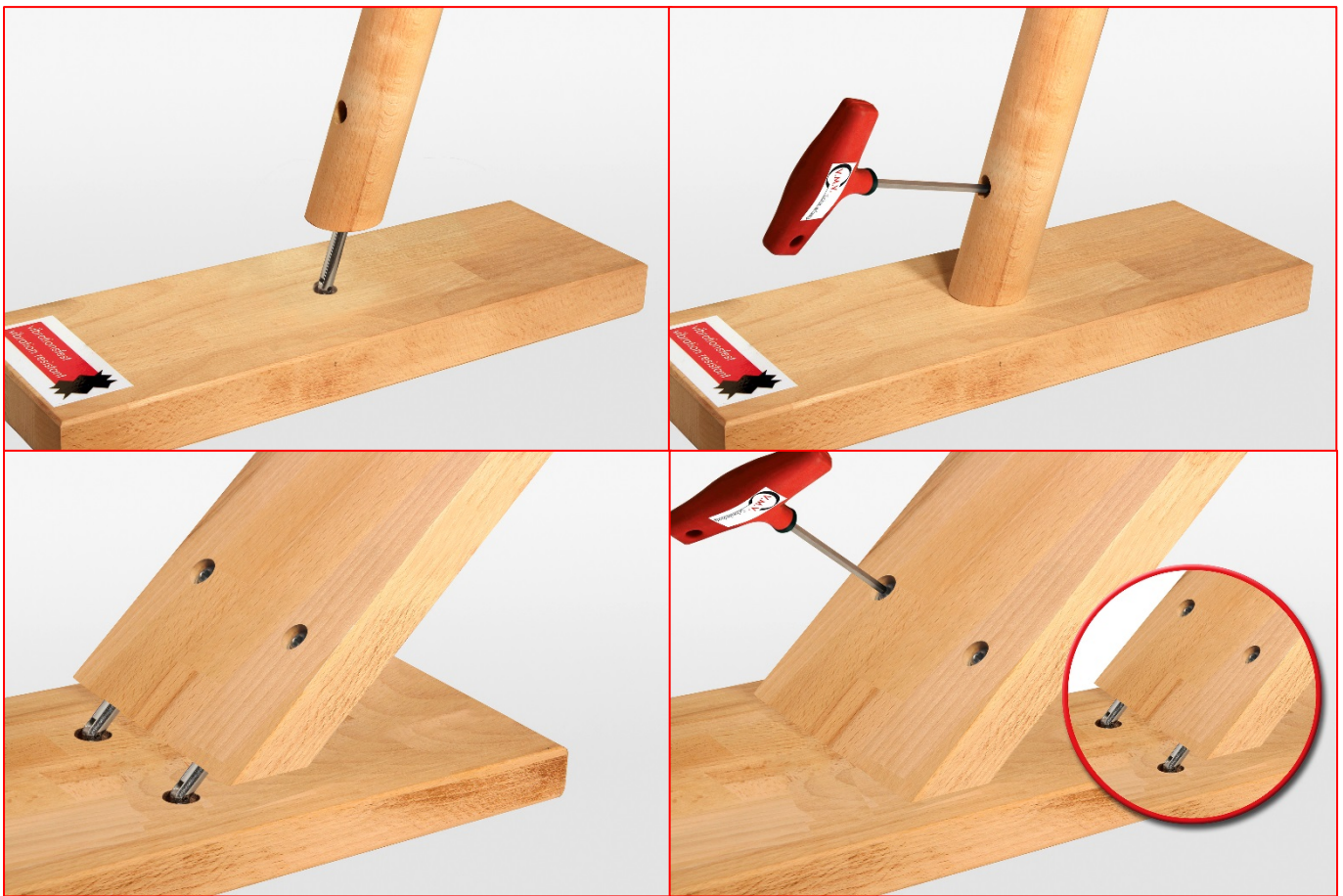
Ideal für hochbelastbare Konstruktionen wie Tische, einsetzbar für Plattenstärken ab 22 mm

XS Mitre Connector one sided

Ideal for heavy duty constructions as tables, suitable for board thickness of 22 mm and more

**Stahl
Steel**

**vibrationsfest
vibration resistant**



Beschreibung

- Hoher Kraftschluss, dauerhaft
- Anzugsweg ca. 4,5 mm
- Vibrationsfest!
- Komplett aus Stahl gefertigt, hohe Verarbeitungssicherheit
- Oberfläche verzinkt
- Kein seitliches Plattenverschieben
- Leichte Montage für den Endverbraucher
- Made in Germany

Specification

- High strength tightening forces, permanent
- Tightening distance approx. 4.5 mm
- Vibration resistant!
- Completely made of steel, high processing safety
- Surface zinc plated
- No panel-shift
- Easy to mount
- Made in Germany



XS Gehrungsverbinder einseitig

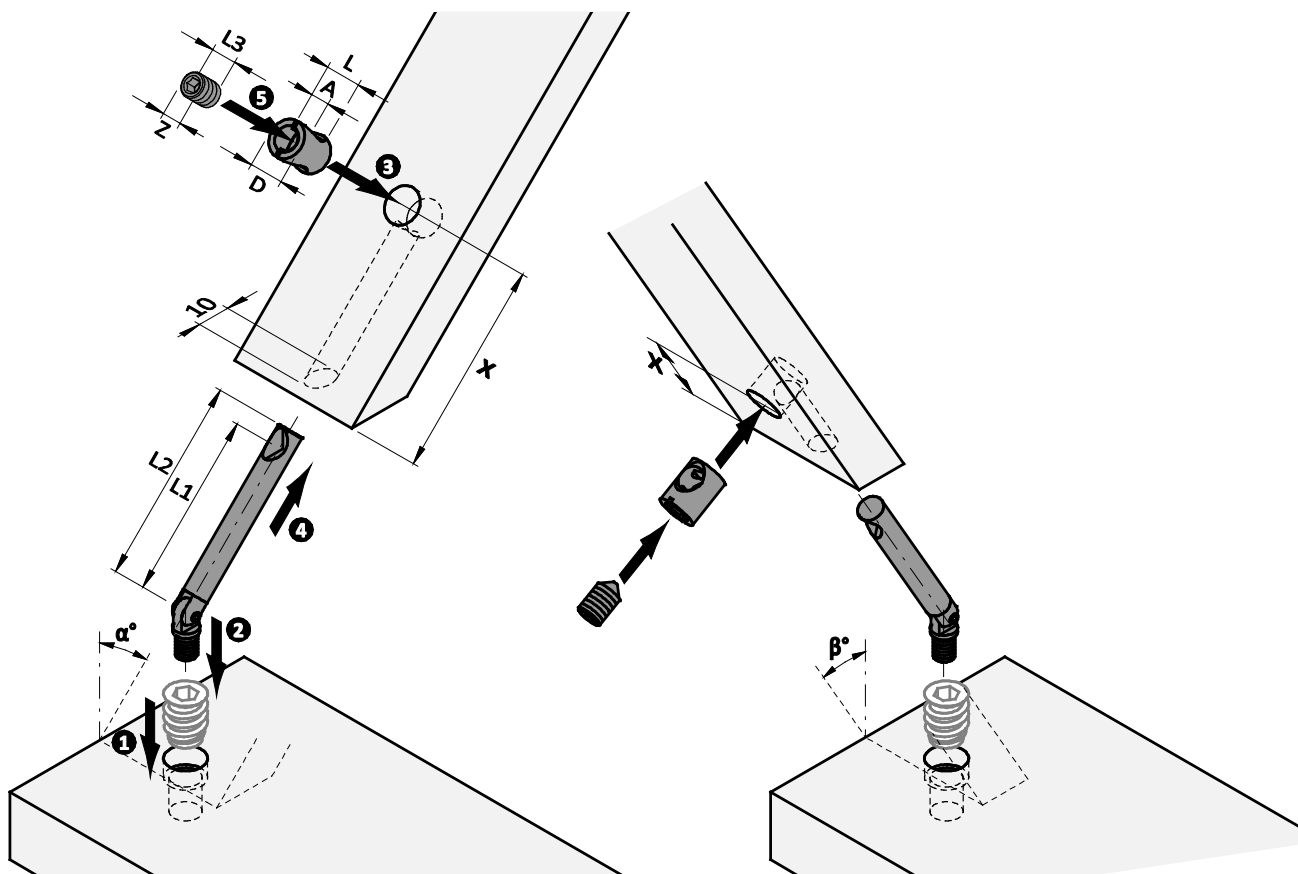
Bestehend aus:

- XS Gehäuse $\varnothing 15$ mm
- XS Gewindestift M10, ISK (Innensechskant)
- XS Gelenkdübel einseitig $\varnothing 10$ mm
- Gewindemuffe M8

XS Mitre Connector one sided

Consisting of:

- XS Housing $\varnothing 15$ mm
- XS Grub Screw M10, ISK (hexagon)
- XS Mitre Dowel one sided $\varnothing 10$ mm
- Insert M8



Gehäuse / Housing $\varnothing 15$ mm					
Artikel-Nr. order-no.	Material M	L	A	D	VE PU
D01035	20	17	10,0	15	100
D01002	22	19	12,0	15	100
D01003	24-28	21	14,0	15	100
D01004	30	28	13,0	15	100

Gew.-Stift / Grub Screw M10			
Artikel-Nr. order-no.	L3	Z	VE PU
D01036	10,0	SW5	100
D01005	12,5	SW5	100
D01005	12,5	SW5	100
D01005	12,5	SW5	100

Stahldübel / Steel Dowel $\varnothing 10$ mm				
Artikel-Nr. order-no.	\varnothing	L1	L2	VE PU
D01012	10	68,5	75,5	25

Hinweis / Please note

→: Gehäuse mit diesem Gewindestift kombinieren / →: Combine Housing with this Grub Screw

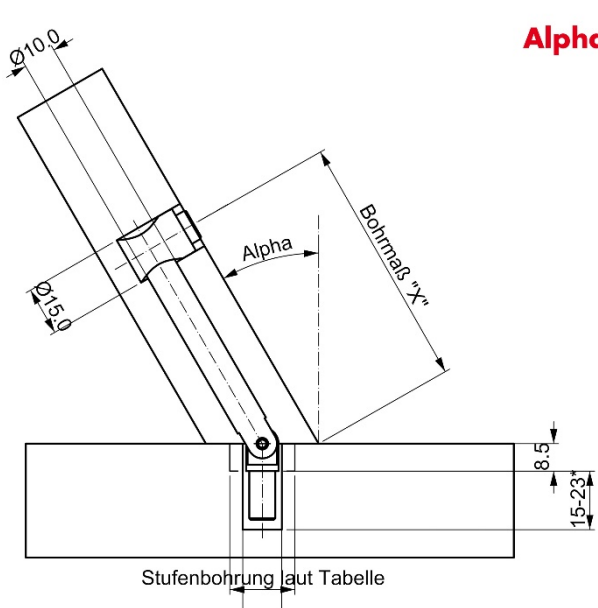
Passende Gewindemuffen auf S. 52 / Matching Inserts on page 52

M: Materialstärke; Alle Abmessungen in mm / M: Board thickness; All dimensions in mm

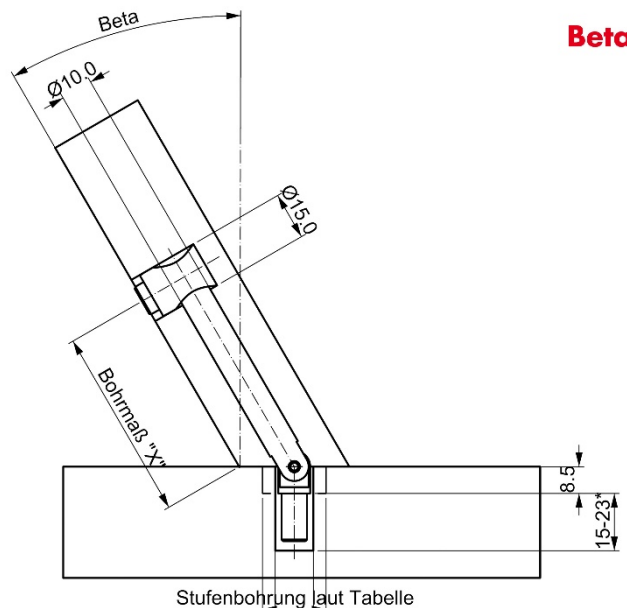
Bohrabstand X: Siehe Bohrtabelle / Drilling distance X: See drilling chart

Bohrmaß „X“ (theor.) in mm für Gelenkdübel einseitig $\varnothing 10$ mm, Toleranz: $-0,5/+1,0$ mm; Ein Probeanschlag wird empfohlen!

Drilling distance „X“ (theor.) in mm for Mitre Dowel $\varnothing 10$ mm, Tolerance: $-0,5/+1,0$ mm; A test with a sample is recommended!



Alpha



Beta

Gewindemuffe M8 auswählen, z. B. D01128 (siehe S. 52). / Choose Insert M8 e.g. D01128 (see p. 52).

Winkel α	Alpha Plattenstärke / board thickness (mm)										Stufenbohrung \varnothing
Angle α	20,0	22,0	24,0	26,0	28,0	30,0	32,0	34,0	36,0	38,0	2-step-drilling \varnothing
0°	69,0	69,0	69,0	69,0	69,0	69,0	69,0	69,0	69,0	69,0	keine/no
5°	69,0	70,0	70,0	70,0	70,0	70,5	70,5	70,5	70,5	70,5	keine/no
10°	71,0	71,0	71,0	71,5	71,5	71,5	72,0	72,0	72,0	72,5	keine/no
15°	71,5	72,0	72,0	72,5	73,0	73,0	73,5	73,5	74,0	74,0	keine/no
20°	72,5	73,0	73,5	73,5	74,0	74,5	75,0	75,0	75,5	76,0	keine/no
25°	73,5	74,0	74,5	75,0	75,5	76,0	76,5	77,0	77,5	78,0	keine/no
30°	74,8	75,4	76,0	76,5	77,0	77,7	78,2	79,0	79,5	80,0	keine/no
35°	76,0	76,5	77,5	78,0	79,0	79,5	80,0	81,0	81,5	82,0	16,0
40°	77,5	79,0	79,0	80,0	80,5	81,5	82,5	83,5	84,0	85,0	16,0
45°	79,0	80,0	81,0	82,0	83,0	84,0	85,0	86,0	87,0	88,0	16,0
50°	81,0	82,0	83,5	84,5	85,5	87,0	88,0	89,5	90,5	91,5	20,0
55°	83,3	84,5	86,0	87,5	89,0	90,5	92,0	93,5	94,5	96,0	20,0
60°	86,5	88,0	90,0	91,5	93,0	95,0	96,5	98,5	100,0	102,0	20,0

Winkel β	Beta Plattenstärke / board thickness (mm)										Stufenbohrung \varnothing
Angle β	20,0	22,0	24,0	26,0	28,0	30,0	32,0	34,0	36,0	38,0	2-step-drilling \varnothing
0°	69,0	69,0	69,0	69,0	69,0	69,0	69,0	69,0	69,0	69,0	keine/no
5°	68,0	68,0	68,0	68,0	68,0	67,5	67,5	67,5	67,5	67,5	keine/no
10°	67,0	67,0	67,0	66,5	66,5	66,5	66,0	66,0	66,0	65,5	keine/no
15°	66,5	66,0	66,0	65,5	65,0	65,0	64,5	64,5	64,0	64,0	keine/no
20°	65,5	65,0	64,5	64,5	64,5	64,0	63,5	63,0	62,5	62,0	keine/no
25°	64,5	64,0	63,5	63,0	62,5	62,0	61,5	61,0	60,5	60,0	keine/no
30°	63,0	6,5	62,0	61,5	61,0	60,5	60,0	59,0	58,5	58,0	keine/no
35°	62,0	61,5	60,5	60,0	59,0	58,5	58,0	57,0	56,5	55,5	16,0
40°	60,5	60,0	60,0	58,0	57,5	56,5	55,5	54,5	54,0	53,0	16,0
45°	59,0	58,0	57,0	56,0	55,0	54,0	53,0	52,0	51,0	50,0	16,0
50°	57,0	56,0	54,5	53,5	52,5	51,0	50,0	48,5	47,5	46,5	20,0
55°	54,5	53,5	52,0	50,5	49,0	47,5	46,0	44,5	43,5	42,0	20,0
60°	51,5	50,0	48,0	46,5	45,0	43,0	41,5	39,5	38,0	36,0	20,0



XS Gehrungsverbinder zweiseitig

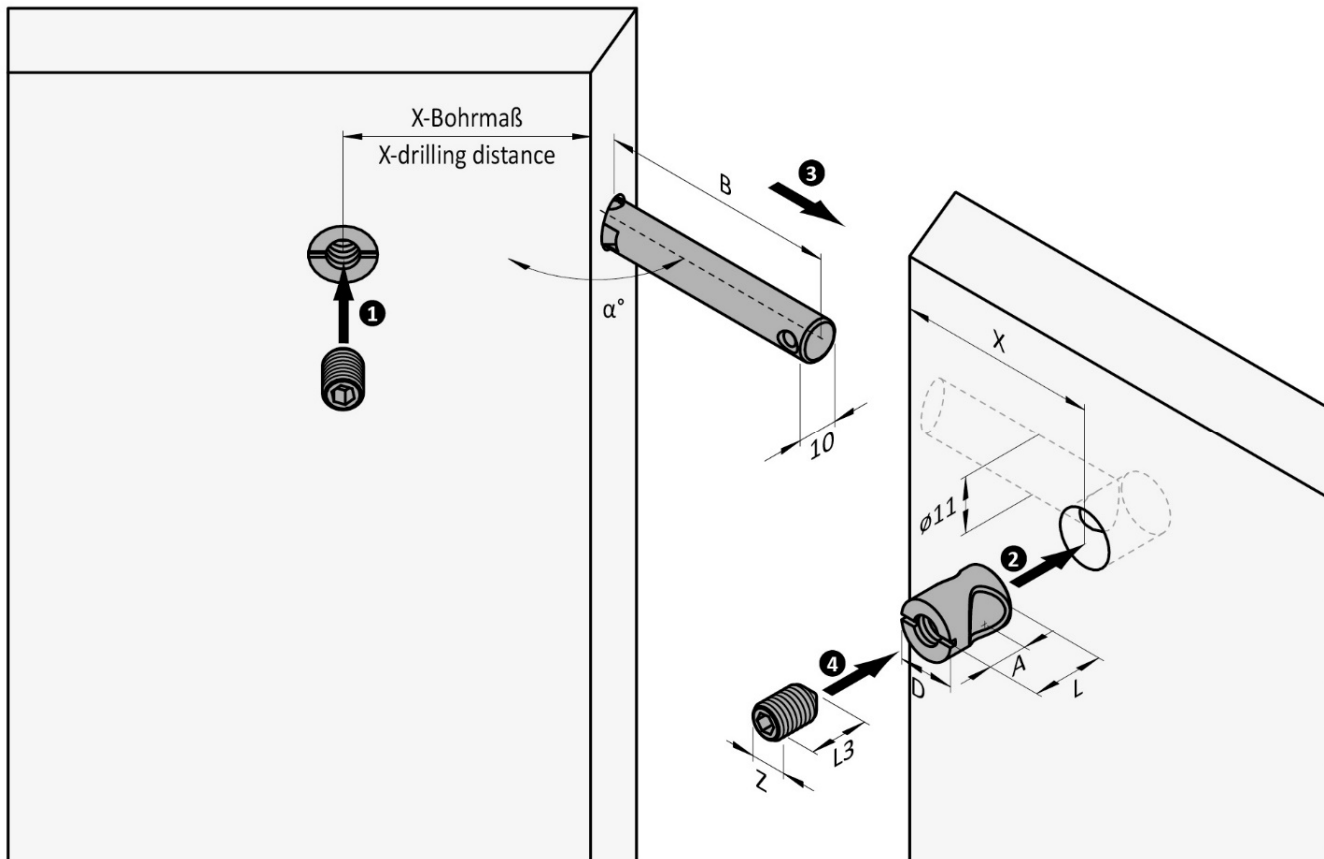
Bestehend aus:

- XS Gehäuse $\varnothing 15$ mm
- XS Gewindestift M10, ISK (Innensechskant)
- XS Gelenkdübel $\varnothing 10$ mm

XS Mitre Connector two sided

Consisting of:

- XS Housing $\varnothing 15$ mm
- XS Grub Screw M10, ISK (hexagon)
- XS Mitre Dowel $\varnothing 10$ mm



Gehäuse / Housing $\varnothing 15$ mm					
Artikel-Nr. order-no.	Material M	L	A	D	VE PU
D01035	20	17	10,0	15	100
D01002	22	19	12,0	15	100
D01003	24-28	21	14,0	15	100
D01004	30	28	13,0	15	100

Gew.-Stift / Grub Screw M10			
Artikel-Nr. order-no.	L3	Z	VE PU
D01036	10,0	SW5	100
D01005	12,0	SW5	100
D01005	12,0	SW5	100
D01005	12,0	SW5	100

Stahldübel / Steel Dowel $\varnothing 10$ mm				
Artikel-Nr. order-no.	\varnothing	L1	B/B	VE PU
D01009	10	152	68,5/68,5	25

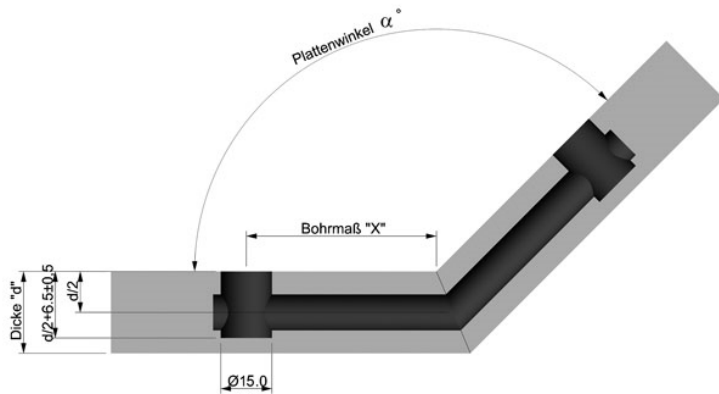
Hinweis / Please note

→: Gehäuse mit diesem Gewindestift kombinieren / →: Combine Housing with this Grub Screw
M: Materialstärke; Alle Abmessungen in mm / **M:** Board thickness; All dimensions in mm
 Bohrabstand **X** siehe Bohrtabelle / Drilling distance **X** in drilling chart



XS Gehrungsverbinder zweiseitig
Bohrabstandstabelle

XS Mitre Connector two sided
Drilling distances



Bohrmaß „X“ (theor.) in mm für
XS Gelenkdübel ø10 mm
Toleranz: -0,5/+1,0 mm

Ein Probeanschlag wird empfohlen!

Drilling distance “X” (theor.) in mm for
XS Mitre Dowel ø10 mm
Tolerance: -0,5/+1,0 mm

A test with a sample is recommended!

Winkel α Angle α	Plattenstärke / board thickness (mm)				
	22,0	24,0	26,0	28,0	30,0
80°	56,0	54,5	53,5	52,5	51,0
85°	57,0	56,0	55,0	53,7	52,5
90°	58,0	57,0	56,0	55,0	54,0
95°	59,0	58,0	57,0	56,0	55,5
100°	60,0	59,0	58,0	57,3	56,5
105°	60,5	60,0	59,0	58,3	57,5
110°	61,3	60,5	60,0	59,2	58,5
115°	62,0	61,5	60,5	60,0	59,5
120°	62,5	62,0	61,5	61,0	60,5
125°	63,5	63,0	62,0	61,5	61,0
130°	64,0	63,5	63,0	62,5	62,0
135°	64,5	64,0	63,5	63,0	63,0
140°	65,0	64,5	64,3	64,0	63,5
145°	65,5	65,0	65,0	64,5	64,5
150°	66,0	66,0	65,5	65,0	65,0
155°	66,5	66,3	66,0	66,0	65,5
160°	67,0	67,0	66,5	66,5	66,5
165°	67,5	67,5	67,5	67,0	67,0
170°	68,0	68,0	68,0	68,0	67,5
175°	68,5	68,5	68,5	68,5	68,5
180°	69,0	69,0	69,0	69,0	69,0



XS Handlaufbeschlag

Bestehend aus:

- XS Gehäuse ø15 mm
- XS Gewindestift mit M10, SW5
- XS Stahldübel ø10 mm

XS Handrail Connector

Consisting of:

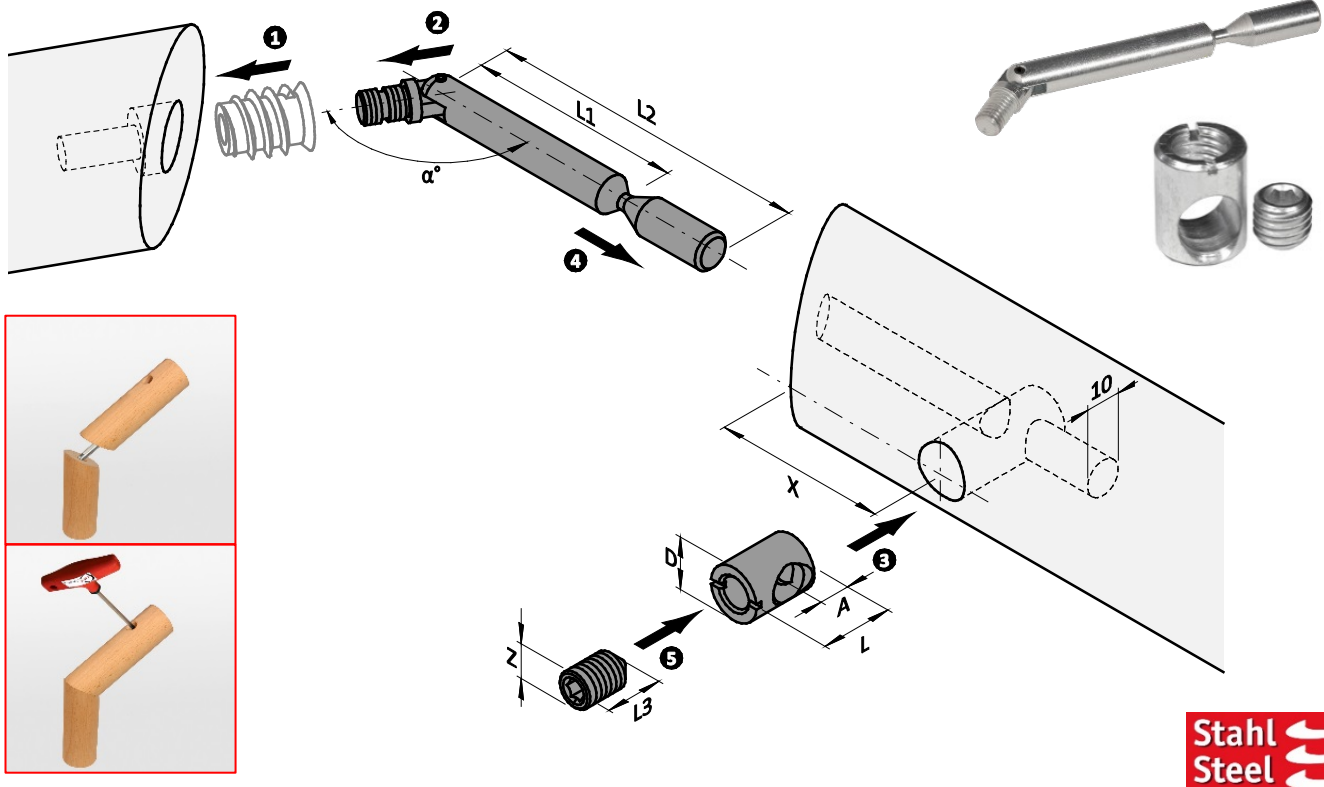
- XS Steel Housing ø15 mm
- XS Grub Screw M10, SW5
- XS Steel Dowel ø10 mm

Beschreibung

- Zum stufenlosen Verbinden von Handläufen
- Kompletter Beschlag aus Stahl
- Kein seitliches Verschieben möglich
- Überdurchschnittlich hohe Festigkeitswerte
- Leichte Montage für den Endverbraucher
- Made in Germany

Specification

- For connecting handrails – freely-adjustable
- Completely made of steel
- No side movements possible
- Higher than average rate of firmness
- Easy to mount
- Made in Germany



Gehäuse / Housing ø15 mm					
Artikel-Nr. order-no.	Material M	L	A	D	VE PU
D01035	20	17	10,0	15	100
D01002	22	19	12,0	15	100
D01003	24-28	21	14,0	15	100
D01004	30	28	13,0	15	100

Gew.-Stift / Grub Screw M10			
Artikel-Nr. order-no.	L3	Z	VE PU
D01036	10,0	SW5	100
D01005	16,0	SW5	100
D01005	16,0	SW5	100
D01005	16,0	SW5	100

Stahldübel / Steel Dowel ø10 mm				
Artikel-Nr. order-no.	L1	L2	d	VE PU
D02040	89,5	109,0	M8x11	10
D02041	89,5	109,0	M8x11	2

Hinweis / Please note

X: Passende Gewindemuffen M8 auf S. 52 / X: Matching Inserts M8 on page 52

M: Materialstärke; Alle Abmessungen in mm / M: Board thickness; All dimensions in mm



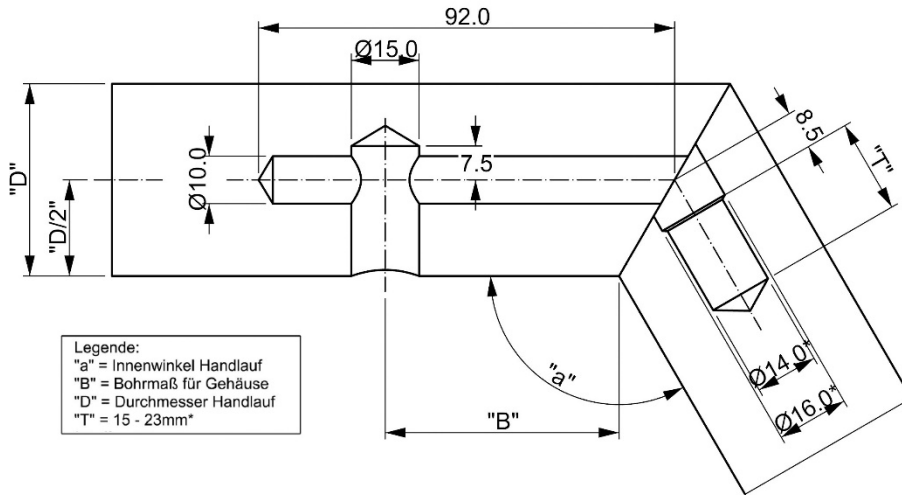
XS Handlaufbeschlag

Bohrbild

XS Handrail Connector

Drilling distances

Beschreibung



Bohrmaß „B“ = „X“ (theor.) in mm für Gelenkdübel Handlauf $\varnothing 10/15$ mm (Toleranz: $-0,5/+1,0$ mm)

Ein Probeanschlag wird empfohlen!

Drilling distance „B“ = „X“ (theor.) in mm for Mitre Dowel Handrail $\varnothing 10/15$ mm (Tolerance: $-0,5/+1,0$ mm)

A test with a sample is recommended!

Gewindemuffe M8 auswählen, z. B. D01128 (siehe S. 52). / Choose Insert M8 e.g. D01128 (see p. 52).

Winkel α	Handlaufdicke / handrail thickness (mm)													
	30,0	32,5	35,0	37,5	40,0	42,5	45,0	47,5	50,0	52,5	55,0	57,5	60,0	
55°	37,0	35,0	32,5	30,0	27,5	25,0	23,0	20,5	18,0	15,5	13,0	11,0	8,5	
60°	40,0	38,0	35,5	33,5	31,5	29,0	27,0	25,0	22,5	20,5	18,5	16,0	14,0	
65°	42,5	40,5	38,5	36,5	34,5	32,5	30,5	28,5	27,0	25,0	23,0	21,0	19,0	
70°	44,5	43,0	41,0	39,0	37,5	35,5	34,0	32,0	30,5	28,5	26,5	25,0	23,0	
75°	46,5	45,0	43,0	41,5	40,0	38,5	36,5	35,0	33,5	32,0	30,0	28,5	27,0	
80°	48,0	46,5	45,0	43,5	42,0	40,5	39,0	37,5	36,0	34,5	33,0	32,0	30,0	
85°	49,5	48,5	47,0	45,5	44,0	43,0	41,5	40,0	38,5	37,5	36,0	34,5	33,5	
90°	51,0	50,0	48,5	47,5	49,0	45,0	43,5	42,5	41,0	40,0	38,5	37,5	36,0	
95°	52,5	51,0	50,0	49,0	47,5	46,5	45,5	44,0	43,0	42,0	41,0	39,5	38,5	
100°	53,5	52,5	51,5	50,5	49,0	48,0	47,0	46,0	45,0	44,0	43,0	42,0	41,0	
105°	54,5	53,5	52,5	51,5	50,5	49,5	48,5	48,0	47,0	46,0	45,0	44,0	43,0	
110°	55,5	54,5	53,5	53,0	52,0	51,0	50,0	49,5	49,0	47,5	46,5	46,0	45,0	
115°	56,5	55,5	55,0	54,0	53,5	52,5	51,5	51,0	50,0	49,5	48,5	47,5	47,0	
120°	57,5	56,5	56,0	55,0	54,5	53,5	53,0	52,5	51,5	51,0	50,0	49,5	48,5	
125°	58,0	57,5	57,0	56,0	55,5	55,0	54,5	53,5	53,0	52,5	51,5	51,0	50,5	
130°	59,0	58,5	58,0	57,5	56,5	56,0	55,5	55,0	54,5	54,0	53,0	52,5	52,0	
135°	60,0	59,5	59,0	58,0	57,5	57,0	56,5	56,0	55,5	55,0	54,5	54,0	53,5	
140°	60,5	60,0	59,5	59,0	58,5	58,5	58,0	57,5	57,0	56,5	56,0	55,5	55,0	
145°	61,5	61,0	60,5	60,0	59,5	59,5	59,0	58,5	58,0	57,5	57,5	57,0	56,5	
150°	62,0	61,5	61,5	61,0	60,5	60,5	60,0	59,5	59,5	59,0	58,5	58,5	58,0	
155°	62,5	62,5	62,0	62,0	61,5	61,5	61,0	60,5	60,5	60,0	60,0	59,5	59,0	
160°	63,5	63,0	63,0	62,5	62,5	62,5	62,0	62,0	61,5	61,5	61,0	61,0	60,5	
165°	64,0	64,0	63,5	63,5	63,5	63,0	63,0	63,0	62,5	62,5	62,5	62,0	62,0	
170°	64,5	64,5	64,5	64,5	64,5	64,0	64,0	64,0	64,0	63,5	63,5	63,5	63,5	
175°	65,5	65,5	65,0	65,0	65,0	65,0	65,0	65,0	65,0	65,0	65,0	64,5	64,5	
180°	66,0	66,0	66,0	66,0	66,0	66,0	66,0	66,0	66,0	66,0	66,0	66,0	66,0	